

Cbx



OPERATOR
FOR SLIDING
AND SECTIONAL
DOORS



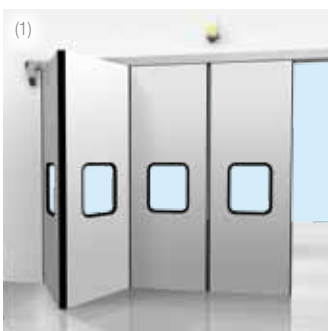
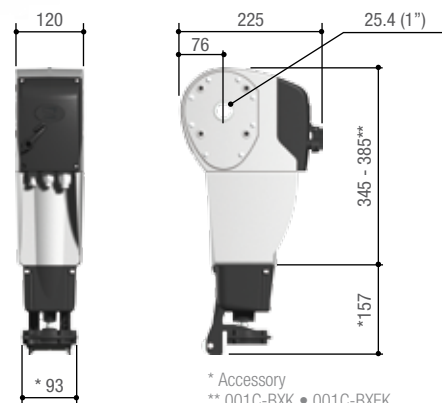
CAME

The versatile solution for industrial doors.

The Cbx operator is especially suited for industrial type doors, up to 11 m (36 ft) in height. The operator can be installed on sectional doors with either direct drive or chain transmission, but also on sliding and folding sliding doors.



Dimensions (mm)



(1) Application on folding sliding doors
(2) Application of sliding doors

Benefits that become solutions.

FUNCTIONALITY AND SAFETY

- Encoder for detecting obstructions and accurate adjustment of slow down points and endpoints (only on models C-BXE - C-BXEK - C-BXE24).
- Display viewable digital programming of features.
- Serial input for connecting to Came access control systems.
- Manages opening and closing slow downs (adjustable).
- Programming of differentiated command (for example: opening with automatic command/closing with maintained action command).
- Complete self-diagnostics of all safety devices fitted to the system before the door even activates.
- Safety even with idle motor: each command is cancelled in case an obstruction is detected by the safety devices.
- Integrated user management through the storing of 250 differentiated radio codes.

THE RANGE

The models of the Cbx series are available in different versions with 230 V AC, 24 V DC and 230-400 V AC triphase motors, while offering innovative combinations to manage apartment block and residential passages.

SPECIAL OVERALL DIMENSION REQUIREMENTS

All of the Cbx range models can be installed either vertically or horizontally, to meet all application needs.



The Triphase benefits!

Greater thrust during operation.
The 230-400V triphase electronics provide much greater thrust during the initial gate movement, to overcome any critical issues due to the door's weight.

Frequent passages.
The triphase gearmotor ensures operation even under the most severe conditions of use such as with industrial applications.

Inertia control.
With large industrial doors, their weight is often an issue to solve in terms of safety and proper operation of the system. Passive inertia, in terms of the door travel, may lead to malfunctions as well as user hazards.



Guaranteed by 24 Volts

Systems running at 24 Volts are super safe to use and very reliable under intense working conditions, such as those found at residential apartment complexes and industrial facilities. Moreover, 24 Volt systems work even during power outages, thanks to the optional batteries.

Read up at came.com about the full range of Came products!

Came is a market leading home, industrial, and special technological projects automation manufacturing company.

A full range of household solutions: from operators for gates and garage doors, to shutter and awning winding motors, and even home automation control, to burglar proof and video entry systems. Technology and reliability to serve your business, thanks to solutions designed for powering large industrial doors, automatic doors, street barriers, turnstiles, access control systems and parking facilities.





GARANZIA QUALITÀ ORIGINARIA

Came products are entirely designed and made in ITALY



Came S.p.A. is Quality and Environmentally certified by UNI EN ISO 9001 UNI EN ISO 14001

MODEL

CONTROL PANEL

	C-BX C-BXK	C-BX C-BXK	C-BXE C-BXEK	C-BXE24 ZL80 ZL80C	C-BXET ZT5 ZT5C	C-BXT ZT6 ZT6C
SAFETY FEATURES						
SELF-DIAGNOSING safety devices	●	●	●	●	●	●
PREFLASHING while opening or closing	●	●	●	●	●	●
REOPEN while closing	●	●	●	●	●	●
RECLOSE while opening	●	●	●	●	●	●
WAIT obstruction	●	●	●	●	●	●
TOTAL STOP	●	●	●	●	●	●
PARTIAL STOP	●	●	●	●	●	●
OBSTRUCTION DETECTED in front of photocells	●	●	●	●	●	●
ENCODER	●		●	●	●	
AMPEROMETRIC DETECTION			●	●	●	
CONTROL FEATURES						
PEDESTRIAN OPENING one gate leaf	●					
PARTIAL OPENING one gate leaf	●	●	●	●	●	●
OPEN ONLY from transmitter and/or button	●	●	●	●	●	●
OPEN ONLY or CLOSE ONLY button connection	●	●	●	●	●	●
OPEN-STOP-CLOSE-STOP from transmitter and/or from button	●	●	●	●	●	●
OPEN-CLOSE-INVERSION from transmitter and/or from button	●	●	●	●	●	●
MAINTAINED ACTION	●	●	●	●	●	●
OPENING DELAY 1st leaf	●					
CLOSING DELAY 2nd leaf	●					
CHARACTERISTICS AND ADJUSTMENTS						
FLASHING LIGHT connection	●	●	●	●	●	●
CYCLE LAMP connection	●	●	●	●	●	●
COURTESY LAMP connection	●	●	●	●	●	●
Antenna	●	●	●	●	●	●
GATE OPEN FLASHING LIGHT connection	●	●	●	●	●	●
Contact output for 2nd RADIO CHANNEL	●	●	●	●	●	●
OPERATING TIME adjustment	●	●	●	●	●	
SELF-LEARNING of the transmitter's RADIO CODE	●					
ELECTROLOCK/ELECTROBLOCK and/or ANTI RAMMING connection	●	●	●	●	●	●
Adjustable AUTOMATIC RECLOSING TIME	●	●	●	●	●	●
OPENING and/or CLOSING slow down	●		●	●		
EMERGENCY BATTERY operation (optional)				●		
Adjustable GATE TRAVEL and SLOW DOWN speeds	●			●		
DISPLAY	●			●		●

● 230 V AC ● 24 V DC ● 230-400 V AC Triphase

MODEL

	C-BX C-BXE	C-BXT C-BXET	C-BXE24	C-BXK C-BXEK
Protection rating (IP)	54	54	54	54
Power supply (V - 50/60 Hz)	230 AC	230-400 V AC TRIPHASE	230 AC	230 AC
Power supply to motor (V)	230 AC 50/60 Hz	230-400 V AC TRIPH. 50/60 Hz	24 DC	230 AC 50/60 Hz
Draw (A)	2.2	2.5	9 Max.	3.6
Power (W)	450	780	240	750
Crown turns (rpm)	21.5	21.5	26.5	21.5
Duty cycle (%)	30	50	INTENSIVE USE	30
Torque (Nm)	60	80	25	120
Operating temperature (°C / °F)	-20 ÷ +55 / -4 ÷ +131	-20 ÷ +55 / -4 ÷ +131	-20 ÷ +55 / -4 ÷ +131	-20 ÷ +55 / -4 ÷ +131
Motor's heat protection (°C / °F)	150 ÷ +302	150 ÷ +302	-	150 ÷ +302

● 230 V AC ● 24 V DC ● 230-400 V AC Triphase

LIMITS TO USE (MAXIMUM PASSAGE WIDTH)

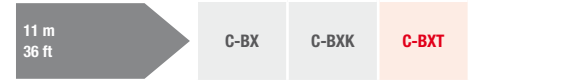
SECTIONAL WITH DIRECT DRIVE



SECTIONAL WITH CHAIN TRANSMISSION



SLIDING AND FOLDING SLIDING



● 230 V AC ● 24 V DC ● 230-400 V AC Triphase

SOME VERSION MAY NOT BE AVAILABLE IN YOUR COUNTRY. FOR MORE INFORMATION PLEASE CHECK WITH YOUR LOCAL AUTHORIZED DEALER.



MILANO 2015
FEEDING THE PLANET
ENERGY FOR LIFE

© CAME SPA - KDEP#CEN08A3S114 - JAN_2014 - EN

Even partial reproduction is prohibited • Came reserves the right to make any changes to this document at any time



Came S.p.A.

Via Martiri della Libertà, 15
Dossone di Casier
Treviso - Italy

www.came.com

Came is a company of
CAMEGROUP